



Name _____ Date _____

I'm a Pilot!

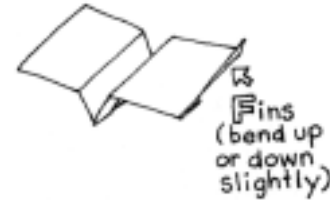
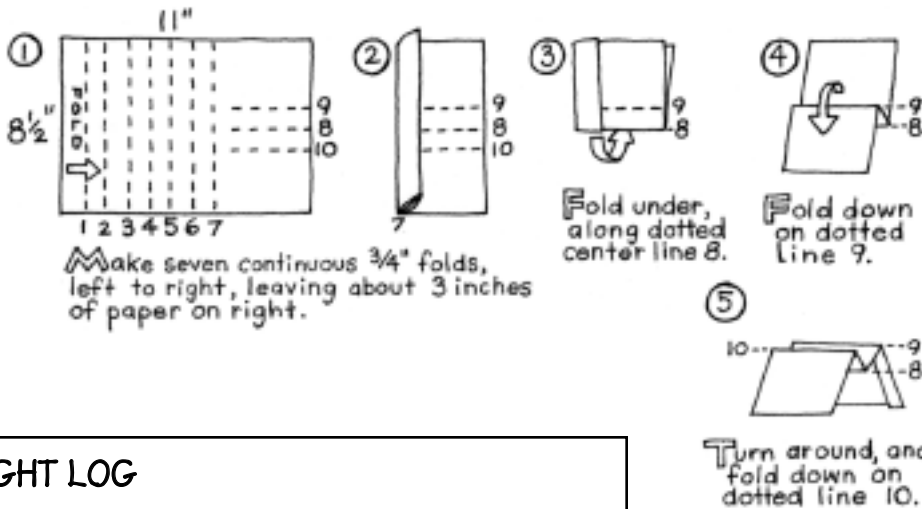
Dear _____,

We're learning about the science of flying things. To learn more at home, follow these directions to help your child make a paper airplane. Team up with your child to test the plane's ability to fly. Complete the flight log together.



Sincerely,

Your Child's Teacher



FLIGHT LOG

Pilot _____

Copilot _____

Date _____

How Far My Plane Will Travel	My Prediction	My Results
Test 1		
Test 2		
Test 3		

How do you think you can change your plane to make it travel farther?
Test out your idea.